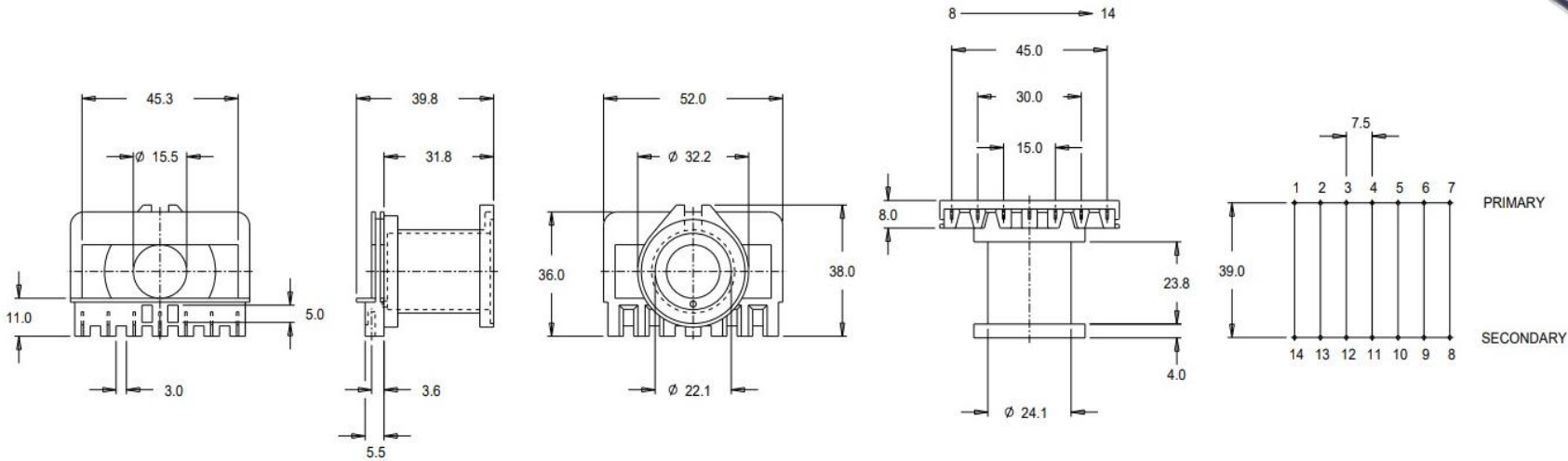




# FD7026



Part Number FD7026	Part Weight (g) 15.1	Carton Quantity 1200	Pinning Configuration TBS-640 1:2:3:4:5:6:7:
Order Code FD7026FR3BLK0001	Material Rynite FR530L	Carton Size (mm) 560x385x490	Pin Length (mm) (from standoff) n/a
Part Description Bobbin ETD44 H Sec 14P Concentric	<a href="#">Material Datasheets</a>	Related Items n/a	Terminal Pin Material n/a
Product Range ETD Range	UL Rating UL94V0	3D CAD Image	<a href="#">Compliance information</a>

## MILES - PLATTS

+44 (0)116 264 3850

[milesplatts.co.uk](http://milesplatts.co.uk)

[enquiries@milesplatts.co.uk](mailto:enquiries@milesplatts.co.uk)